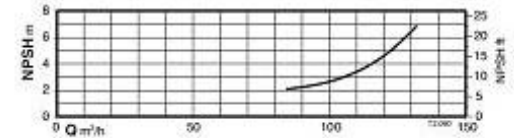
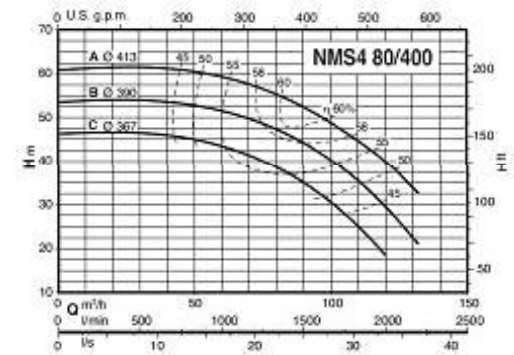
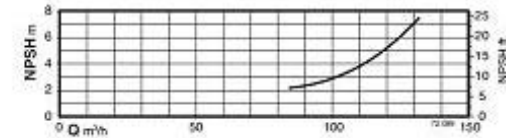
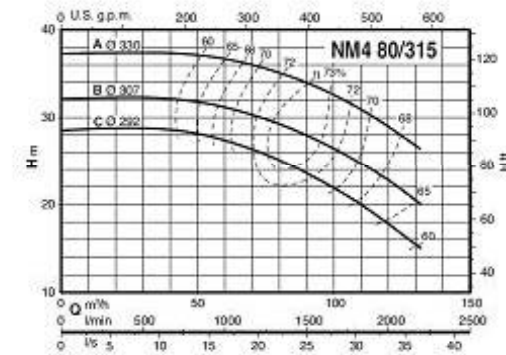
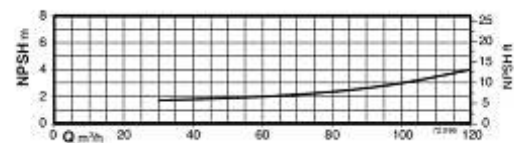
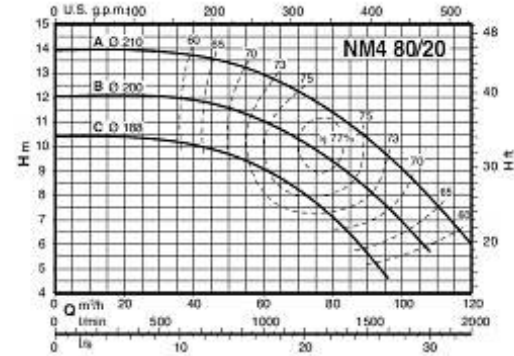
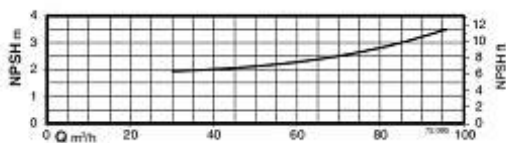
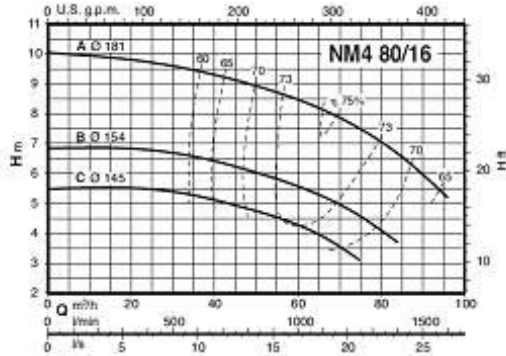
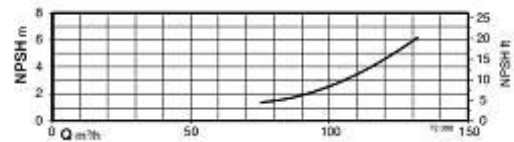
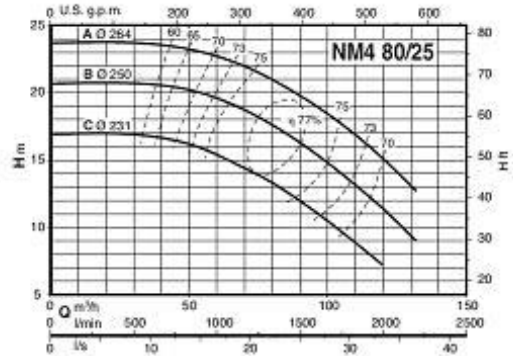


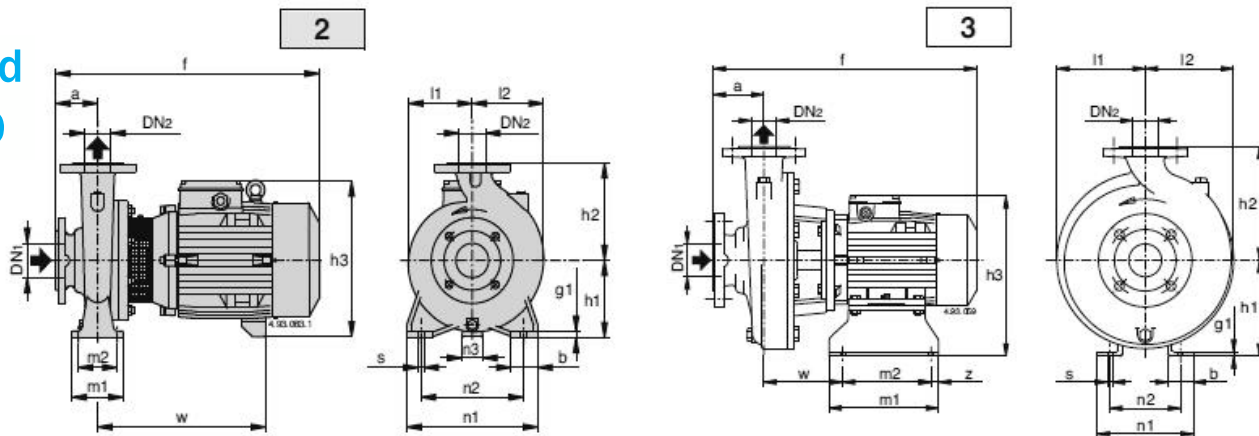
Technisches Datenblatt Spiralgehäuse - Kreiselpumpen

Serie NM4 Grösse 80

Kennlinien bei	1450 ¹ /min.
Motor 4-polig	50 Hz
Wassertemperatur	20 °C



Massbild NM4 80



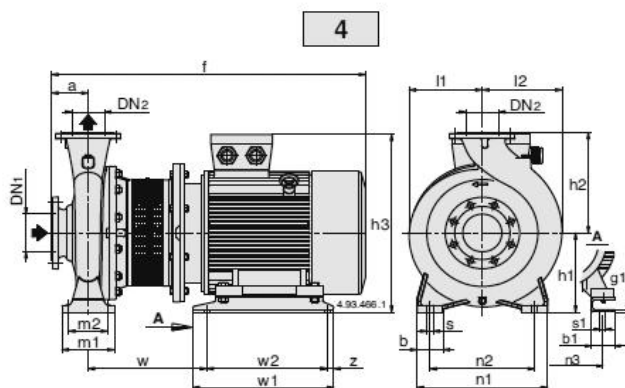
Pumpenmasse 4 - polig, 1450¹/min

Pumpentyp	Artikel-Nr.	Abmessungen in mm														Gewicht kg
		Bild	a	f	h1	h2	h3	m1	m2	n1	l1	l2	w	DN1	DN2	
NM4 80/16C/A	111.07750	2	125	495	180	225	288	125	95	320	165	193	295	100	80	53
NM4 80/16B/A	111.07751	2	125	520	180	225	308	125	95	320	165	193	300	100	80	61
NM4 80/16A/A	111.07752	2	125	520	180	225	308	125	95	320	165	193	300	100	80	65.5
NM4 80/20C/A	111.07753	2	125	540	180	250	308	125	95	345	170	194	320	100	80	74.5
NM4 80/20B/A	111.07754	2	125	560	180	250	340	125	95	345	170	194	340	100	80	82
NM4 80/20A/A	111.07755	2	125	560	180	250	340	125	95	345	170	194	340	100	80	91
NM4 80/25C/A	111.07756	2	125	565	200	280	360	160	120	400	191	210	335	100	80	102
NM4 80/25B/A	111.07757	2	125	670	200	280	385	160	120	400	191	210	415	100	80	124
NM4 80/25A/A	111.07758	2	125	670	200	280	385	160	120	400	191	210	415	100	80	135
NM4 80/31C/A	111.07759	2	125	720	250	315	435	160	120	400	220	232	465	100	80	181
NM4 80/315B/A	111.07760	3	125	850	260	315	466	435	395	314	220	232	210	100	80	248
NM4 80/315A/A	111.07761	3	125	850	260	315	466	435	395	314	220	232	210	100	80	269

		Bild	a	f	h1	h2	h3	m1	m2	n1	l1	l2	w2	DN1	DN2	kg
NMS4 80/400C	111.07762	4	125	1025	280	355	538	160	80	435	268	268	520	125	80	336
NMS4 80/400B	111.07763	4	125	1025	280	355	538	160	80	435	268	268	520	125	80	365
NMS4 80/400A	111.07764	4	125	1025	280	355	580	160	80	435	268	268	540	125	80	436

Motordaten NM4 80, 4-polig, 1450¹/min

Pumpentyp	Leistung kW	Eingangsstrom in Ampere		
		3~230 V	3~400 V	3~690 V
NM4 80/16C/A	1.1	5	2.9	
NM4 80/16B/A	1.5	6	3.5	
NM4 80/16A/A	2.2	8.6	5	
NM4 80/20C/A	2.2	8.6	5	
NM4 80/20B/A	3	11.1	6.4	
NM4 80/20A/A	4		8.3	4.8
NM4 80/25C/A	4		8.3	4.8
NM4 80/25B/A	5.5		12.5	7.2
NM4 80/25A/A	7.5		16	9.2
NM4 80/31C/A	9.2		19	11
NM4 80/315B/A	11		22.5	13
NM4 80/315A/A	15		29	16.7
NMS4 80/400C	18.5		34.5	19.9
NMS4 80/400B	22		40.5	23.4
NMS4 80/400A	30		55	31.8



BRUNNER AG
 Brunnergässli 1
 CH-8302 Kloten
 Tel. 044 814 17 44
 Fax 044 814 17 75
 mail@brunnerpumpen.ch

BRUNNER AG
 Seefeldstrasse 1
 CH-8280 Kreuzlingen
 Tel. 079 654 01 48
 Fax 071 688 82 37
 www.brunnerpumpen.ch

BRUNNER SA
 Via in Paes 82
 CH-6572 Quartino
 Tel. 091 795 21 26
 Fax 091 795 28 92
 www.brunnerpompe.ch